
 MIS 4320en	Mounting Instruction	
PPE2- Series (dP)	Water Differential Pressure Switch	

The PPE2- Series (dP) is used to control the differential pressure in water pumps,
plate heat exchangers, tube heat exchanger and shell heat exchanger

Multiple measuring ranges are available to cover all applications

The control output is ON-OFF



Sensor Specification	Sensor Specification	Measured	Water Differential Pressure
		Sensor Characteristics	Passive
		Sensor Output (s)	SPDT micro-switch (NO/ NC)
		Measuring Range (s)	see Product Range, Page 1
		Differential Gap	See Product Range, Page 1
		Repeatability	±1%
		Max. Pressure Difference	Max. 5bar
		Max. Static Pressure	Max. 20bar
		Medium Temperature Range	-20...+93°C
	Measuring Range (s)	See Product Range, Page 1	

Technical Information	Electrical Information	Terminal Clamp	Screw terminal, max. 2.5mm ²
		Relay Rating	AC 250V, max.10A
	Mechanical Information	Cable Length	1m
		Cable Diameter	2x0.75mm ² , 105°C resistance burning cable
		Cable Entry	M16, Ø6...Ø8mm cables
		Connection Type	G1/4", male thread
		Sensing Element Positio	Inside the housing
	User Interface	Set Point Adjustments	See Product Range, Page 1
	Color and Materials	Housing Cover	Black ABS, RAL 9017 (Traffic Black)
		Housing Bottom	Brass
		Diaphragm	EPDM
		Cable Gland	Black PP, RAL 9017 (Traffic Black)
	Environmental Condition	0.02bar	-20°C...+85°C
		Operation Humidity	<85% r.h., no condensation
		0.05bar	-10°C...+70°C
		Transport Humidity	< 90% r.h.
		0.06bar	-10°C...+70°C
		Storage Humidity	< 85% r.h., no condensation
	Norms and Directives	0.07bar	IP65 to IEC6052
		Safety Class	III to EN 60 730
	Product Standard 1	Automatic Electric. Controls for household and similar use	
	Product Standard 2	2009/EN 60 730-1	
	0.002bar	2004/108/EG Electromagnetic Compatibility	
	CE Electromagnetic Compatibility Emitted Interference	EMV	
	CE Electromagnetic Compatibility Interference	2000/EN60730-1 Emitted Interference	
	Resistance	2000/EN60730-1 Interference Resistance	
	RoHS Compatibility	RoHS 3, Directive 2015/863	
	Operation Climatic Condition	IEC 60 721-3-3	
	Operation Mechanical Condition	IEC 60 721-3-2 to class2M2	
	Transport to Climatic Condition	IEC 60 721-3-2	
	Transport Mechanical Condition	IEC 60 721-3-2 to class2M2	
	Storage Climatic Condition	IEC 60 721-3-1	
	Storage Mechanical Conditio	IEC 60 721-3-1 to class2M2	

Product Range	Order Code	Set Point	Switching Differential	Relay Rating	IP- Rating	Repeatability	Medium Temperature Range
	PPE2.AA	0.1bar	0.03bar	SPDT micro-switch, 230V	IP65 to IEC60529	better than 1%	-20°C...+93°C
	PPE2.BA	0.2bar	0.045bar				
	PPE2.CA	0.25bar	0.05bar				
	PPE2.DA	0.3bar	0.05bar				
	PPE2.EA	0.4bar	0.08bar				
	PPE2.FA	0.05bar	0.02bar				

Installation Notes

Observe the following general regulation for engineering and implementation:



All relevant national and heavy power regulations

Other country specific regulations

Country-specific regulations

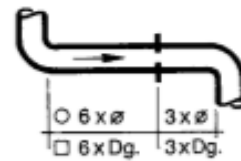
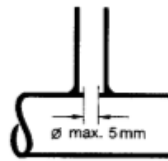
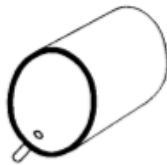
Local electrical supply authority regulation

Schematics, cable listings, dispositions, specification and arrangements from the customer or engineering office in charge

Third party specifications, e.g. general contractors or constructors

Advices

Mounting Advices



Disposal Notes

The device is considered an electronic device for disposal in terms of the EUROPEAN DIRECTIVE 2012/19/EU.

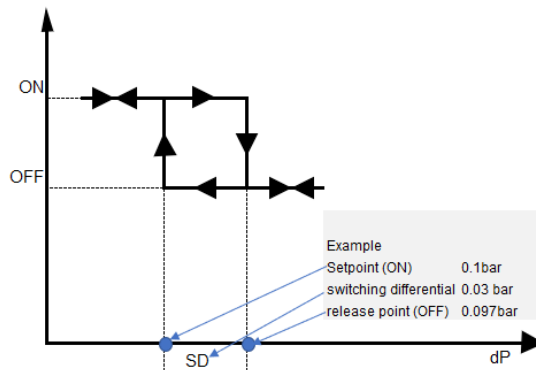
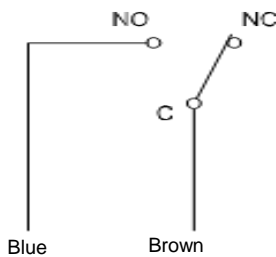


The device may not be disposed as domestic garbage.

The device must be disposed through channels provided for this purpose.

It is mandatory to complying with local currently applying laws and regulations.

Connections - Switching points



Dimensional Drawing

